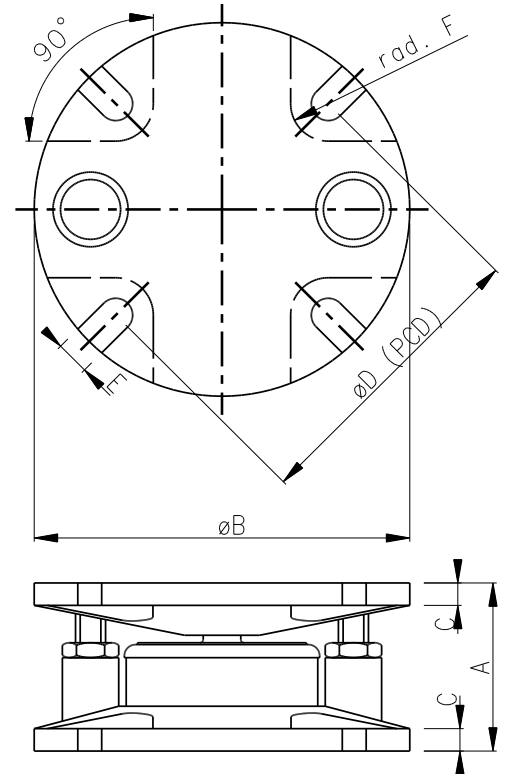


ACCUPOINT

STATIC WEIGH MODULE



- Fully Stainless steel construction
- IP68 sealing, fully wash down proof
- Ideal for tanks and hoppers
- Uplift restraint
- Simple mounting
- Earth bonding strap
- Compact design



Capacity	Order	A	B	C	D	E	F	Cable (m)	Uplift(N)	Weight(kg)
100kg	ACCSTA0100SXXX	45	100	6	80	9	10	3	7500	1.4
250kg	ACCSTA0250SXXX	45	100	6	80	9	10	3	7500	1.4
500kg	ACCSTA0500SXXX	45	100	6	80	9	10	3	7500	1.4
1000kg	ACCSTA1000SXXX	45	100	6	80	9	10	3	7500	1.4
2500kg	ACCSTA2500SXXX	45	100	6	80	9	10	3	7500	1.4
5000kg	ACCSTA5000SXXX	65	150	10	130	11	12	5	12000	2.2
10000kg	ACCSTA010TSXXX	65	150	10	130	11	12	5	12000	2.2
25000kg	ACCSTA025TSXXX	90	178	12	150	13	14	10	15000	7.2
50000kg	ACCSTA050TSXXX	112	223	15	195	18	16	10	32000	15.0

Signal Output at Capacity..... 2 ± 0.02 mV/V
 Linearity Error..... $< 0.070\%$ FSO
 Non-Repeatability..... $< 0.050\%$ FSO
 Hysteresis..... $< 0.050\%$ FSO
 Creep/(30 mins.)..... $< 0.070\%$ FSO
 Zero Balance..... $< 1\%$ Capacity
 Temperature Effect on Span(/10C)..... $< 0.025\%$ FSO
 Temperature Effect on Zero(/10C)..... $< 0.025\%$ FSO
 Compensated Temperature Range..... $-10 \sim 50$ C
 Operating Temperature Range..... $-20 \sim 65$ C
 Storage Temperature Range..... $-50 \sim 85$ C
 Excitation +ve.....RED
 Signal +ve.....GREEN

Service Load.....100% Capacity
 Safe Load.....150% Capacity
 Safe Side Load.....10% Capacity
 Ultimate Load.....300% Capacity
 Input Resistance.....410 Ω nominal
 Output Resistance.....350 $\Omega \pm 3\Omega$
 Insulation Resistance..... > 5000 M Ω (@50 VDC)
 Excitation Voltage(Rec.).....5~15 V AC/DC
 Excitation Voltage(Max.).....20 V AC/DC
 Cable.....PUR Dia. 4.5~5.0 mm
 Material.....Stainless Steel
 Excitation -ve.....Black
 Signal -ve.....White

Note: Due to continuous product development specifications are subject to change.

R150616