

PW12C...

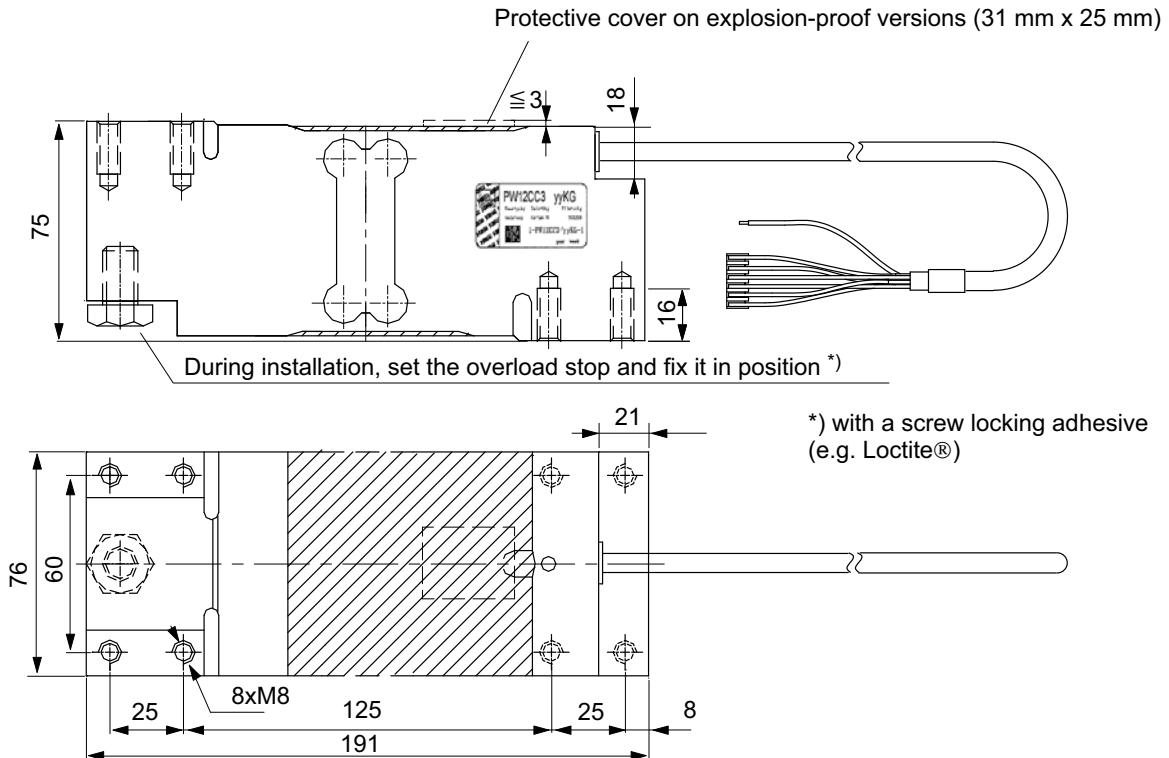
Single point load cells

Special features

- Maximum capacities: 50 kg ... 750 kg
- Aluminum
- High ratio of minimum verification interval Y
- Off-center load compensation
- Complies with EMC directives
- Six-wire circuit
- Explosion protection and other options also available



Dimensions in mm (1 mm = 0.03937 inches)



Type			PW12C...										
Accuracy class ¹⁾			C3 Multi Range (MR)										
Number of load cell verification intervals (n _{LC})	n _{LC}		3000										
Maximum capacity ²⁾	E _{max}	kg	50	75	100	150	200	250	300	500	635	750	
Minimum load cell verification interval, accuracy class C3MR	v _{min}	g	5	5	10	10	20	20	20	50	50	50	
Temperature coefficient of zero signal, accuracy class C3MR	TC ₀	% of C _n / 10 K	±0.0140	±0.0093	±0.0140	±0.0093	±0.0140	±0.0112	±0.0093	±0.0140	±0.0110	±0.0093	
Ratio of minimum verification interval Y		Y	10,000	15,000	10,000	15,000	10,000	12,500	15,000	10,000	12,700	15,000	
Maximum platform size		mm	800 x 800										
Nominal sensitivity	C _n	mV/V	2.0 ±0.2 (Option 6: A = 2mV/V ±0.1%)										
Zero signal			0 ±0.1										
Temperature coefficient of sensitivity ³⁾ Temperature range: +20 ... +40 °C -10 ... +20 °C	TC _c	% of C _n / 10K	±0.0175 ±0.0117										
Relative reversibility error ³⁾	d _{hy}	% of C _n	±0.0166										
Non-linearity ³⁾	d _{lin}		±0.0166										
Minimum dead load output return (DR)			±0.0166										
Off-center load error ⁴⁾			±0.0233										
Input resistance	R _{LC}	Ω	300 ... 500										
Output resistance	R ₀		300 ... 500 (Option 6: A = 410 Ω ±0.2 Ω)										
Reference excitation voltage	U _{ref}	V	5										
Nominal (rated) range of the excitation voltage	B _U		1 ... 12										
Maximum excitation voltage	B _U		15										
Insulation resistance at 100 V _{DC}	R _{is}	GΩ	> 2										
Nominal (rated) range of the ambient temperature	B _T	°C	-10 ... +40										
Operating temperature range	B _{tu}		-10 ... +50										
Storage temperature range	B _{tl}		-25 ... +70										
Limit load at max. 100 mm eccentricity	E _L	% of E _{max}	150										
Limit lateral loading, static	E _{lq}		300										
Breaking load	E _d		300										
Rated displacement at E _{max} , approx.	S _{nom}	mm	< 0.5										
Weight, approx.	m	kg	2.4										
Degree of protection ⁵⁾			IP67										
Material:	Measuring body		Aluminum										
	Covering agent		Silicone rubber										
	Cable sheath		PVC										

1) As per OIMLR60, with P_{LC} = 0.7

2) Maximum eccentric loading as per OIML R76

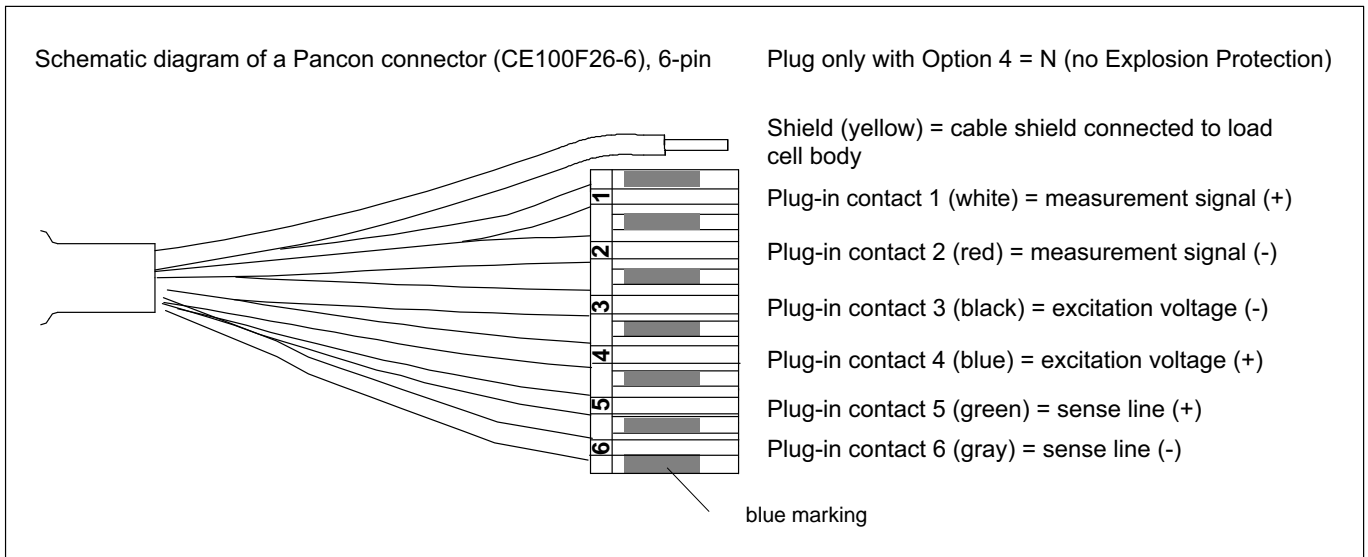
3) If the values for non-linearity (d_{lin}), relative reversibility error (d_{hy}) and temperature coefficient of sensitivity (TC_c) are added together, they are within the cumulated error limit specified in OIML R60.

4) Off-center load deviation per OIML R76

5) As per EN 60 529 (IEC 529)

Cable assignment

6-wire cable connection (available cable lengths: 1.5 m; 3 m; 6 m; 12 m)



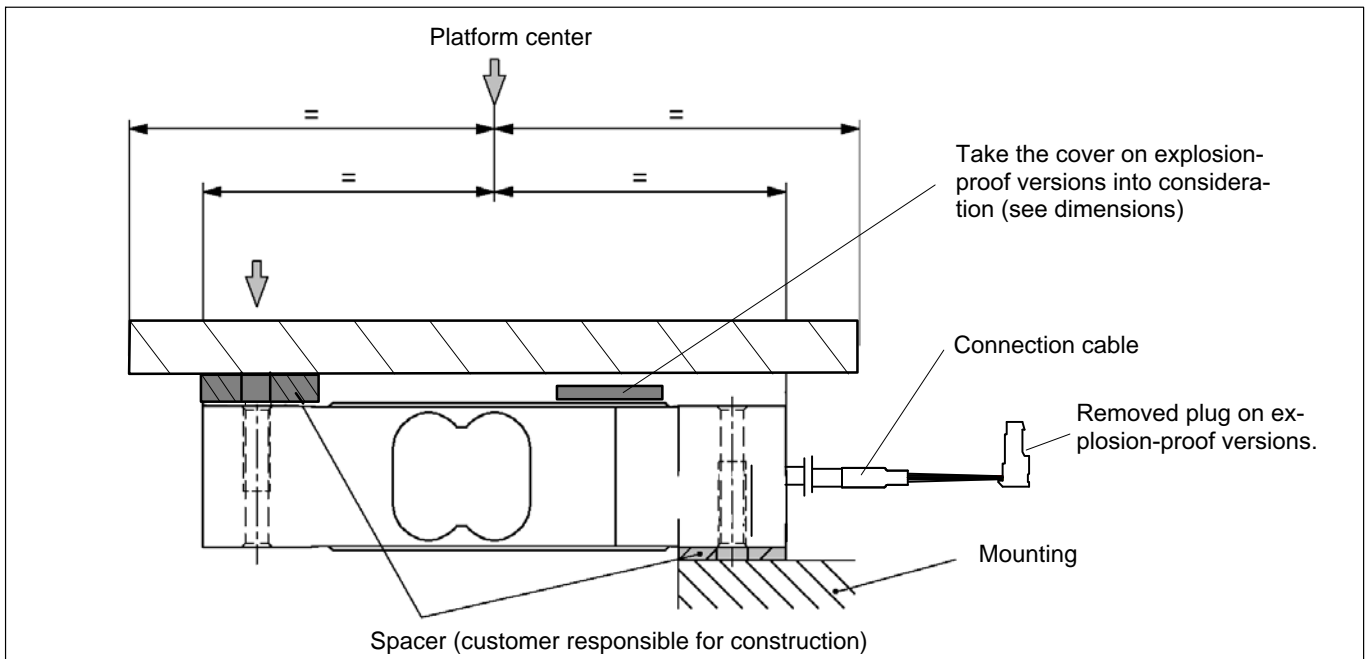
Mounting and load application

The load cells are attached at the mounting holes, the load is applied at the other end. The recommended screws and tightening torques can be found in the table below:

Maximum capacities	Thread	Min. property class	Tightening torque ¹⁾
50...500 kg	M8	10.9	35 N·m
635 kg, 750 kg	M8	12.9	42 N·m

¹⁾ Recommended value for the specified property class. Please comply with the screw manufacturer's instructions with regard to screw dimensions

Load must not be applied to the side where the cable connection is located, as this would cause a force shunt.



Product numbers

PW12C... (aluminum)

Type	PW12C
Accuracy class	C3-MR (OIML) (Multi Range)
Comments	Cable length 3 m (6-wire)

Maximum capacity [kg]	Ordering number
50	1-PW12CC3/50KG-1
75	1-PW12CC3/75KG-1
100	1-PW12CC3/100KG-1
150	1-PW12CC3/150KG-1
200	1-PW12CC3/200KG-1
250	1-PW12CC3/250KG-1
300	1-PW12CC3/300KG-1
500	1-PW12CC3/500KG-1
635	1-PW12CC3/635KG-1
750	1-PW12CC3/750KG-1

K-PW12C-... (aluminum), optional versions

Ordering number
K-PW12C

Code	Option 1: Mechanical design
N	-

Code	Option 2: Accuracy class
MR	C3-MR (OIML) (Multi Range)

Code	Option 3: Nominal (rated) load
50	50 kg
75	75 kg
100	100 kg
150	150 kg
200	200 kg
250	250 kg
300	300 kg
500	500 kg
635	635 kg
750	750 kg

Code	Option 4: Explosion protection
N	No explosion protection
A11/21	IECEx+ATEX Zone 1/21+FM, intrinsically safe II 2G Ex ia IIC T6/T4 Gb/II 2D Ex ia IIIC T125°C Db*
A12/22	IECEx+ATEX Zone 2/22, not intrinsically safe II 3G Ex ec IIC T6/T4 Gc/II 3D Ex tc IIIC T125°C Dc*

Code	Option 5: Cable length
1.5	1.5 m
3	3 m (standard)
6	6 m
12	12 m

Code	Option 6: Other
N	without
A	2mV/V ±0.1% / 410 Ω ±0.2 Ω (adjusted output, suitable for parallel connection)

K-PW12C	-	N	-	-	-	-	-	-	-	-	-	-	-	-	-	-	-	-	-
----------------	---	----------	---	---	---	---	---	---	---	---	---	---	---	---	---	---	---	---	---

* Including EC-Type Examination Certificate/Certificate of Conformity BVS 13 ATEX X 108 X/IECEx BVS 13.0109 X

Subject to modifications.
All product descriptions are for general information only. They are not to be understood as a guarantee of quality or durability.

Hottinger Baldwin Messtechnik GmbH
Im Tiefen See 45 · 64293 Darmstadt · Germany
Tel. +49 6151 803-0 · Fax +49 6151 803-9100
E-mail: info@hbm.com · www.hbm.com

